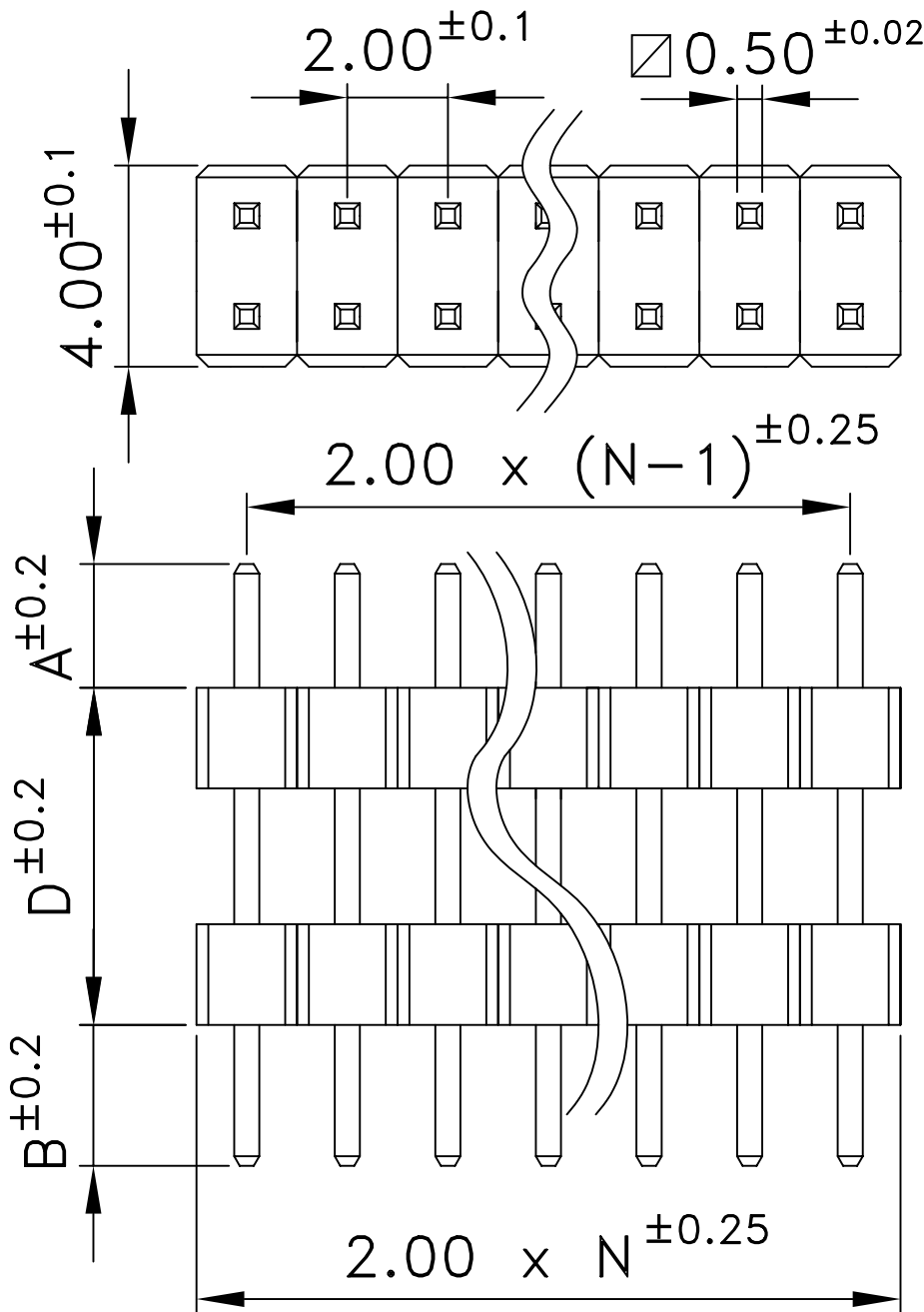


CM-200-D-2x (XX) -2- (YY) - A/B/C/D

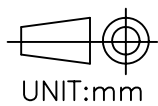
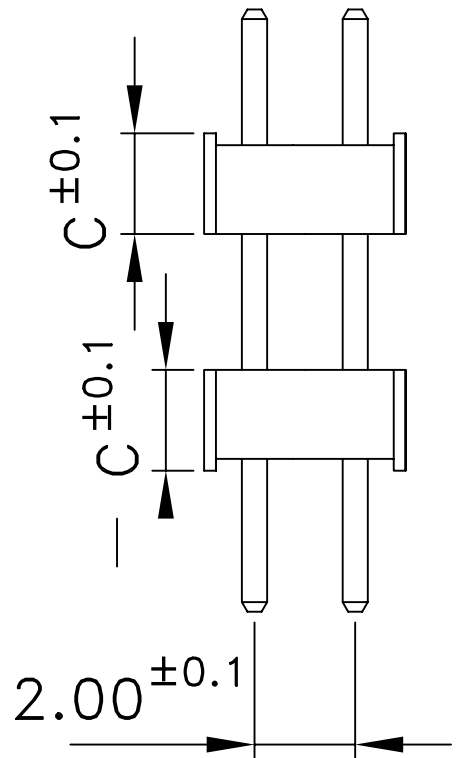
(XX) = N = number of contacts between 02 and 50

Put the desired dimensions for A, B, C and D in mm unit



Plating:

- (YY) = FG = gold flash (standard)
- (YY) = G1 = gold 0.12µm
- (YY) = G2 = gold 0.25µm
- (YY) = G3 = gold 0.50µm
- (YY) = G4 = gold 0.75µm
- (YY) = TF = pure tin flash
- (YY) = T1 = pure tin 5µm
- (YY) = FS = selective gold flash
- (YY) = S1 = selective gold 0.12µm
- (YY) = S2 = selective gold 0.25µm
- (YY) = S3 = selective gold 0.50µm
- (YY) = S4 = selective gold 0.75µm



ELECTRICAL PROPERTIES

Current rate: 1 Ampère
 Insulation resistance: 5000MΩ min.
 Contact resistance: 20mΩ max.
 Dielectric Voltage: 500V AC for 1 minute

MECHANICAL PROPERTIES

Operating temperature: -40°C + +105°C
 Peak temperature: 160° for 5+10 sec
 PCB recommended holes: ø0.90mm

INSULATOR HEIGHT (C)

1.5mm ; 2.0mm are available.

INDEX	DATE	MODIFICATION OCCURRED
-------	------	-----------------------

TOLERANCES FOR FREE DIMENSIONS

ANGULAR VALUES	FROM 0.5 TO 3.0	FROM >3.0 TO 6.0	FROM >6.0 TO 10.0	FROM >10.0 TO 18.0	FROM >18.0 TO 30.0	FROM >30.0 TO 50.0	FROM >50.0 TO 80.0	FROM >80.0 TO 120.0	FROM >120.0 TO 180.0	FROM >180.0 TO 250.0	FROM >250.0 TO 315.0
±2°	±0.125	±0.150	±0.180	±0.215	±0.260	±0.310	±0.370	±0.435	±0.500	±0.575	±0.650

Material: Pin: copper alloy
 Insulator: Nylon 6T (UL94V0)

Plating: See table

Notes: ---

VISA Scale

Date of creation

16-02-06

Designer
 Chiappini R.

Part number: CM-200-D-2x (XX) -2- (YY) - A/B/C/D

Drawing number: _____

Index: _____

File: _____

Description
 Double row, double insulator,
 straight male connector pitch 2.00mm

