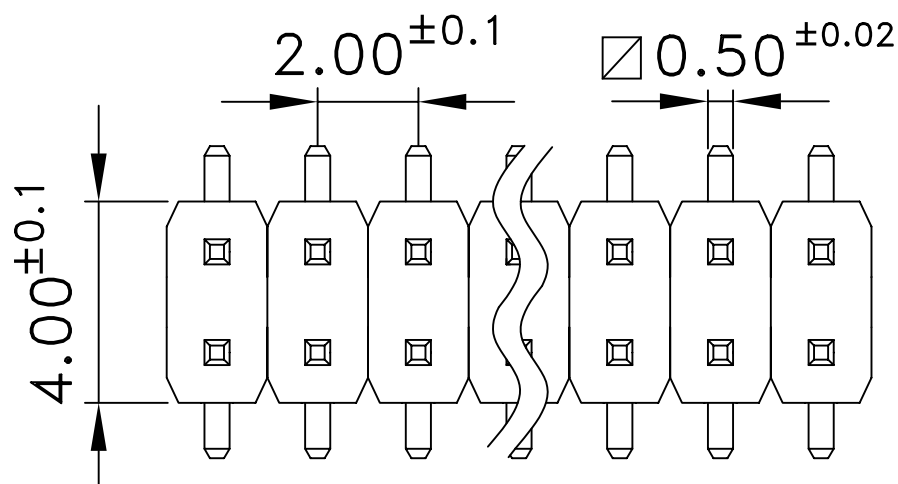
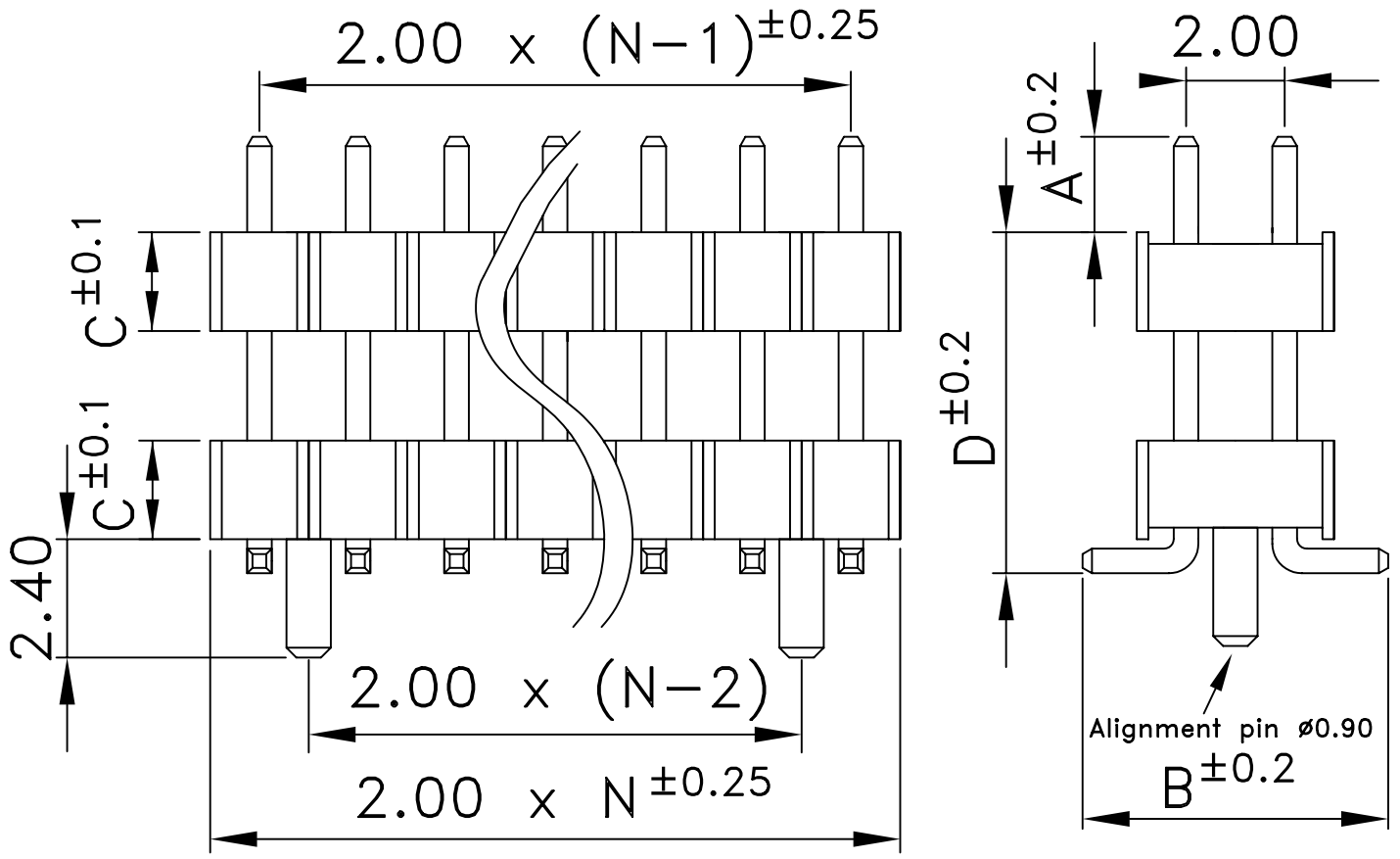


THIS DRAWING IS THE PROPERTY OF FIORTECH FACTORY AND IT CAN NOT BE USED, REPRODUCED AND OR LOANED TO THIRD PARTIES WITHOUT THE WRITTEN PERMISSION OF FIORTECH



Plating:

- (YY) = FG = gold flash (standard)
- (YY) = G1 = gold 0.12µm
- (YY) = G2 = gold 0.25µm
- (YY) = G3 = gold 0.50µm
- (YY) = G4 = gold 0.75µm
- (YY) = TF = pure tin flash
- (YY) = T1 = pure tin 5µm
- (YY) = FS = selective gold flash
- (YY) = S1 = selective gold 0.12µm
- (YY) = S2 = selective gold 0.25µm
- (YY) = S3 = selective gold 0.50µm
- (YY) = S4 = selective gold 0.75µm

(XX) = N = number of contacts between 02 and 50

Put the desired dimensions for A, B, C and D in mm unit

CM-200-S-2x (XX) -2- (YY) - A/B/C/D

 UNIT:mm	ELECTRICAL PROPERTIES Current rate: 1 Ampère Insulation resistance: 5000Ω min. Contact resistance: 20mΩ max. Dielectric Voltage: 500V AC for 1 minute		MECHANICAL PROPERTIES Operating temperature: -40°C + +105°C Peak temperature: 160° for 5±10 sec PCB recommended holes: ø1.30mm		DIMENSIONS (see also "notes") 1.50mm or 2.00mm are available for "C" dimension Standard "B" dimension: 6.20mm

INDEX	DATE	MODIFICATION OCCURRED			VISA Scale
-------	------	-----------------------	--	--	------------

TOLERANCES FOR FREE DIMENSIONS										Material: Pin: copper alloy Insulator: Nylon 6T (UL94V0)	Date of creation 16-02-06
ANGULAR VALUES ±2°	FROM 0.5 TO 3.0	FROM >3.0 TO 6.0	FROM >6.0 TO 10.0	FROM >10.0 TO 18.0	FROM >18.0 TO 30.0	FROM >30.0 TO 50.0	FROM >50.0 TO 80.0	FROM >80.0 TO 120.0	FROM >120.0 TO 180.0		
	±0.125	±0.150	±0.180	±0.215	±0.260	±0.310	±0.370	±0.435	±0.500	±0.575	±0.650

Part number: CM-200-S-2x (XX) -2- (YY) - A/B/C/D

Drawing number: _____

Index: _____

File: _____

Description: Double row, double insulator SMD male connector pitch 2.00mm



QUESTO DISEGNO È DI PROPRIETÀ DELLA DITTA FIORTECH E NON PUÒ ESSERE USATO, E/O CEDUTO A TERZI SENZA IL PERMESSO SCRITTO DELLA FIORTECH