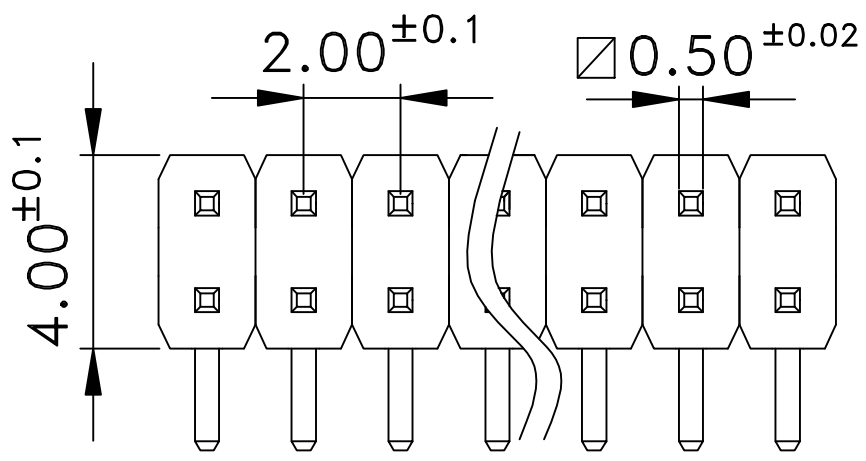
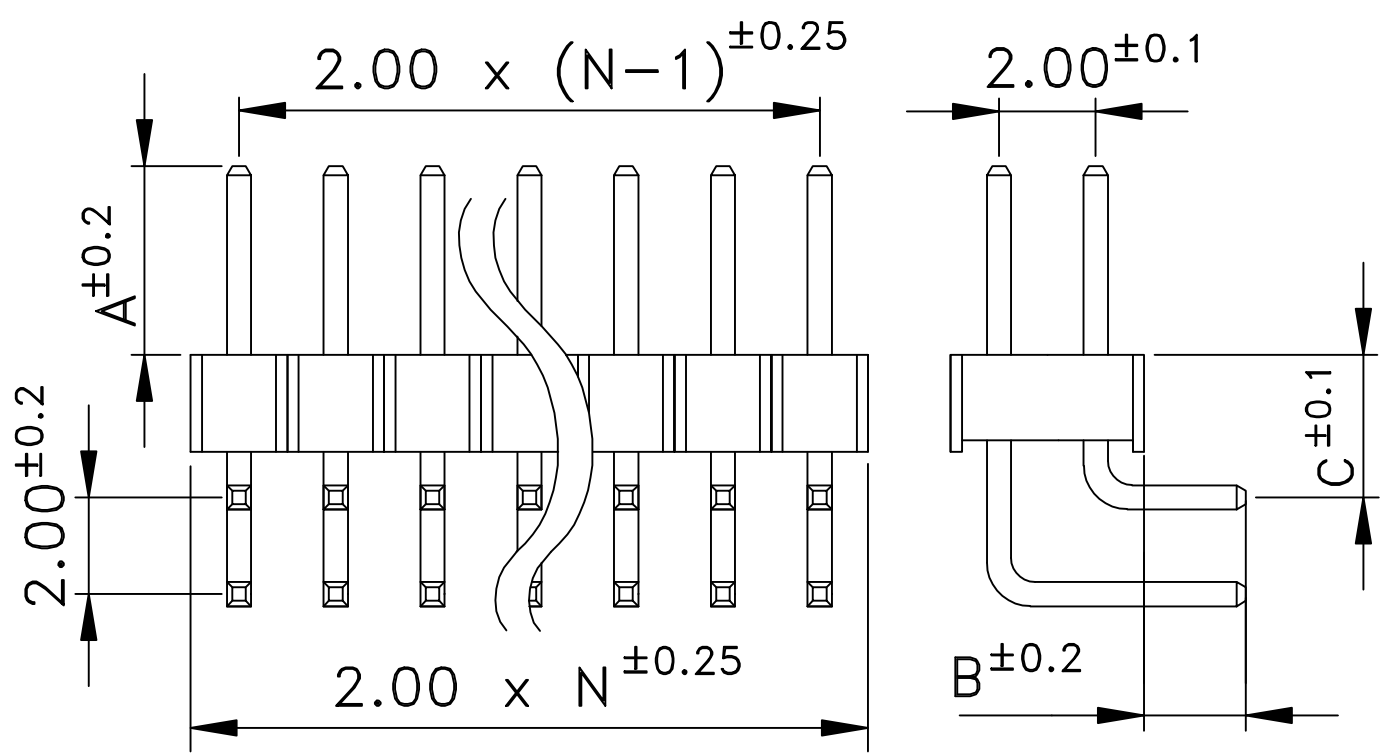


THIS DRAWING IS THE PROPERTY OF FIORTECH FACTORY AND IT CAN NOT BE USED, REPRODUCED AND OR LOANED TO THIRD PARTIES WITHOUT THE WRITTEN PERMISSION OF FIORTECH

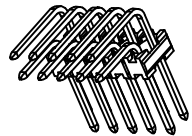


- Plating:**
- (YY) = FG = gold flash (standard)
 - (YY) = G1 = gold 0.12µm
 - (YY) = G2 = gold 0.25µm
 - (YY) = G3 = gold 0.50µm
 - (YY) = G4 = gold 0.75µm
 - (YY) = TF = pure tin flash
 - (YY) = T1 = pure tin 5µm
 - (YY) = FS = selective gold flash
 - (YY) = S1 = selective gold 0.12µm
 - (YY) = S2 = selective gold 0.25µm
 - (YY) = S3 = selective gold 0.50µm
 - (YY) = S4 = selective gold 0.75µm

(XX) = N = number of contacts between 02 and 50

Put the desired dimensions for A, B and C in mm unit

CM-200-A-2x (XX) -1- (YY) - A/B/C



QUESTO DISEGNO E' DI PROPRIETA' DELLA DITTA FIORTECH E NON PUO' ESSERE USATO, E/O CEDUTO A TERZI SENZA IL PERMESSO SCRITTO DELLA FIORTECH

| | | | | | |
|--|---|-----------------------|--|--|--|
| UNIT:mm | ELECTRICAL PROPERTIES | | MECHANICAL PROPERTIES | | DIMENSIONS (see also "notes") 2.50mm or 3.00mm are available for "C" dimension Other dimensions on demand |
| | Current rate: 1 Ampère Insulation resistance: 5000MΩ min. Contact resistance: 20mΩ max. Dielectric Voltage: 500V AC for 1 minute | | Operating temperature: -40°C + +105°C Peak temperature: 160° for 5+10 sec PCB recommended holes: Ø0.90mm | | |
| INDEX | DATE | MODIFICATION OCCURRED | | | VISA Scale |
| TOLERANCES FOR FREE DIMENSIONS FROM 0.5 TO 3.0 ±0.125 FROM >3.0 TO 6.0 ±0.150 FROM >6.0 TO 10.0 ±0.180 FROM >10.0 TO 18.0 ±0.215 FROM >18.0 TO 30.0 ±0.260 FROM >30.0 TO 50.0 ±0.310 FROM >50.0 TO 80.0 ±0.370 FROM >80.0 TO 120.0 ±0.435 FROM >120.0 TO 180.0 ±0.500 FROM >180.0 TO 250.0 ±0.575 FROM >250.0 TO 315.0 ±0.650 | | | | | Material: Pin: copper alloy Insulator: Nylon 6T (UL94V0) |
| ANGULAR VALUES ±2° | | | | | Date of creation: 16-02-06 Designer: Chiappini R. |
| Notes: Insulator height for C dimensions: 1.5mm when C is 2.5 and 2.0mm when C is 3.0 | | | | | |

Part number: CM-200-A-2x (XX) -1- (YY) -A/B/C

Drawing number: _____

Index: _____

File: _____

Description: _____

Double row right angle male connector pitch 2.00mm

